

Service Trolleys

4 Dishwasher Rack Trolley

ITEM # _____

MODEL # _____

NAME # _____

SIS # _____

AIA # _____



361244 (SCC094)

4-dishwasher basket trolley
with handle

Short Form Specification

Item No. _____

Constructed in 304 AISI stainless steel. Framework in mm25 tubing, completely welded. The L-shaped runners, with an upturn at each end, can accommodate mm500x500 dishwashing baskets. The handle is an extension of the load-bearing frame. N. 4 swivelling castors, two with brakes, mm125 in diameter, fitted with plastic bumpers.

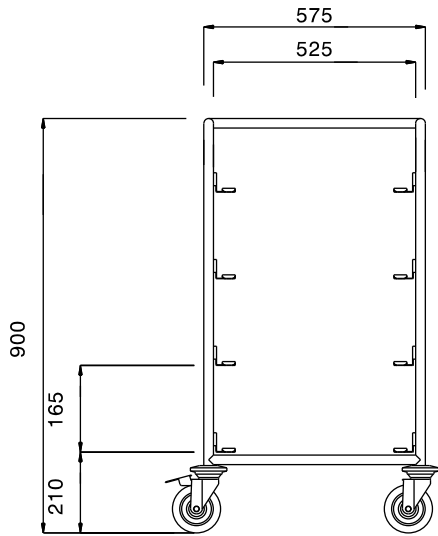
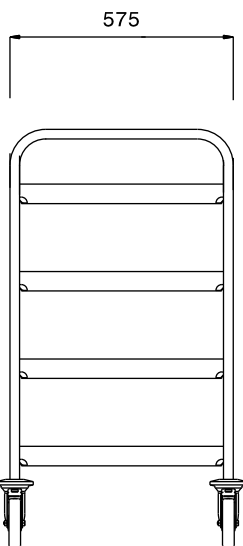
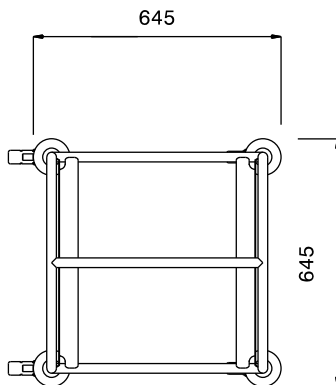
Main Features

- Framework in 25 mm tubing, completely welded.
- L-shaped runners, with upturn at each end.
- Designed to transport 500x500 mm dishwashing baskets.
- Handle is an extension of the load-bearing frame.
- 4 pivoting Ø 125 mm wheels, 2 of which with brakes, fitted with plastic bumpers

Construction

- Constructed entirely in 304 AISI stainless steel.

APPROVAL: _____

Front**Side****Top****Key Information:**

External dimensions, Width:

361244 (SCC094)

645 mm

External dimensions, Depth:

645 mm

External dimensions, Height:

900 mm

Wheel material:

Zinc plated

Wheel diameter:

Ø 125

Net weight:

14 kg